

PRODUCT INFORMATION PACKET



Model No: C4D18WK16A

Catalog No: 109300.00

3/4HP.1800RPM.S56C.TEFC.12VDC.CONT.40C.1.0SF.RIGID C.DC NEMA LOW VOLTAGE.C4D18WK16
WASHDOWN DUTY

Low Voltage



Regal and Leeson are trademarks of Regal Beloit Corporation or one of its affiliated companies.

©2018 Regal Beloit Corporation, All Rights Reserved. MC017097E





Nameplate Specifications

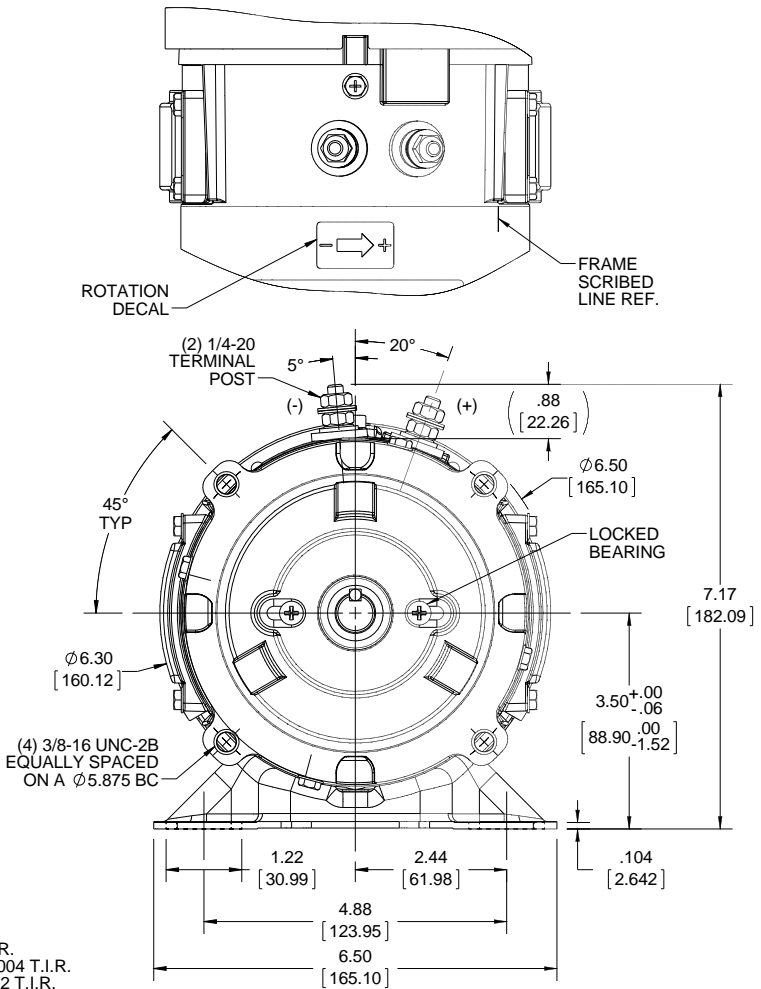
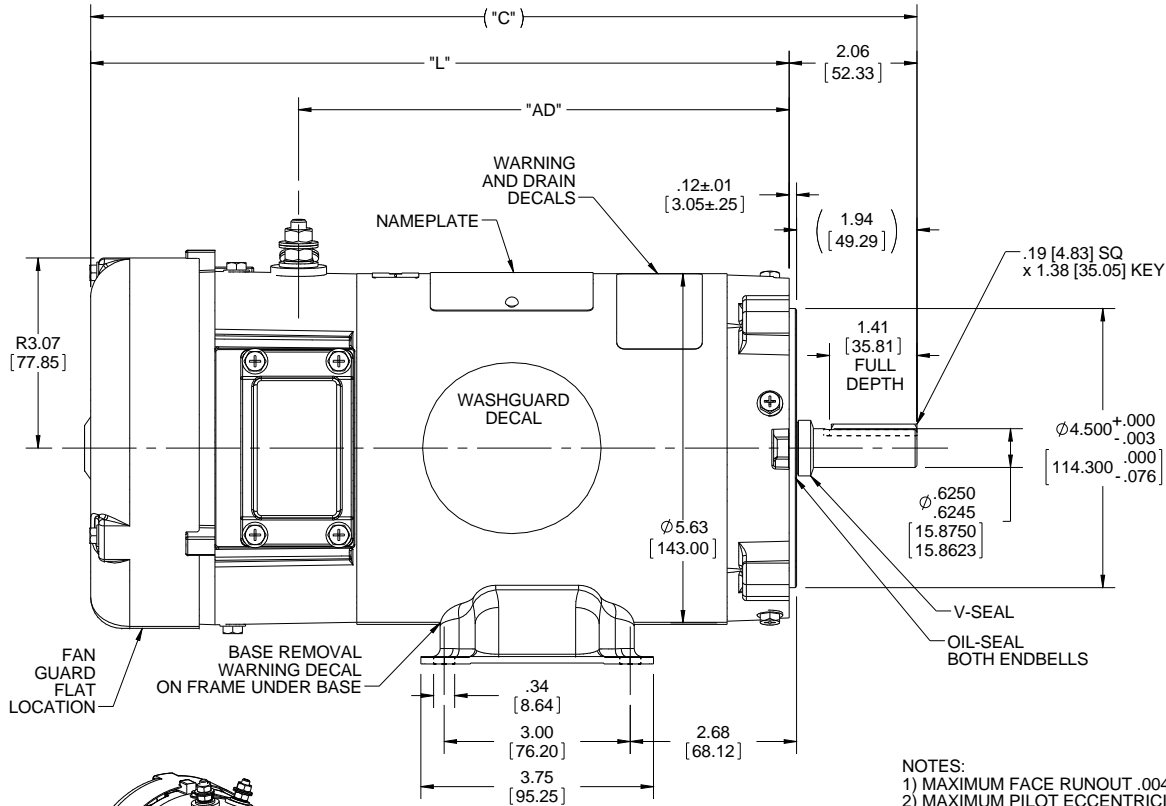
Output HP	0.75 Hp	Output KW	0.56 kW
Voltage	12 V	Current	58.0 A
Speed	1800 rpm	Service Factor	1
Efficiency	79.9 %	Duty	Continuous
Insulation Class	F	Frame	S56C
Enclosure	Totally Enclosed Fan Cooled	Overload Protector	No
Ambient Temperature	40 °C	Drive End Bearing Size	6203
Opp Drive End Bearing Size	6203	UL	Recognized
CSA	Y	CE	N

Technical Specifications

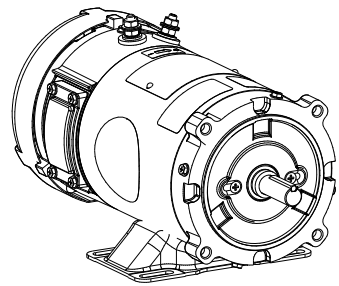
Rotation	Reversible	Mounting	Rigid C base
Overall Length	13.32 in	Frame Length	5.97 in
Shaft Diameter	0.625 in	Shaft Extension	2.06 in
Outline Drawing	612-0225-109300		

This is an uncontrolled document once printed or downloaded and is subject to change without notice. Date Created: 10/15/2018

109303.00	13.82 [351.03]	11.76 [298.70]	8.41 [213.61]	24	1	1800
109300.00	13.32 [338.33]	11.26 [286.00]	7.91 [200.91]	12	3/4	1800
CATALOG No.	"C"	"L"	"AD"	VOLTS	H.P.	RPM



- NOTES:
 1) MAXIMUM FACE RUNOUT .004 T.I.R.
 2) MAXIMUM PILOT ECCENTRICITY .004 T.I.R.
 3) PERMISSIBLE SHAFT RUNOUT .002 T.I.R.
 4) GASKETS THROUGHOUT
 5) PLUGGED DRAIN HOLES IN ENDBELLS.



ITEM No.	ITEM REV
-000	0

DRAWING REVISION A	REVISION BY IVAN GUERRA	DATE 10/18/16	TOLERANCES UNLESS OTHERWISE SPECIFIED: DEC. INCH mm ANGLE X ±0.1 [+2.5] ±0.5° .XX ±0.03 [+0.76] .XXX ±0.005 [+0.127] .XXXX ±0.0005 [+0.0127] REMOVE BURRS & BREAK SHARP EDGES: .003/.015 [0.076/.381] X 45° CORNER FILLETS: R.02 [51] MACHINED SURFACES: 125/3.2 INCH/mm mm SHOWN IN [BRACKETS]	DRAWN BY IVAN GUERRA	REGAL™ Regal Beloit America, Inc.
ECO ECO-0108708	APPROVED BY	DATE	DATE 10/18/16	DATE 10/18/16	DESCRIPTION OUTLINE 48 FRAME DC
ECO DESCRIPTION RELEASED COPYRIGHT REGAL BELOIT AMERICA, INC. ALL RIGHTS RESERVED. PROPRIETARY AND CONFIDENTIAL INFORMATION - THIS DOCUMENT IS THE PROPERTY OF REGAL BELOIT AMERICA, INC. (OWNER) AND CONTAINS OWNER'S PROPRIETARY INFORMATION. ANY PERSON, CORPORATION OR OTHER FIRM RECEIVING IT IS DEEMED, BY RECEIVING IT, TO AGREE THAT IT, AND/OR ANY PART OF IT, SHALL NOT BE DISCLOSED TO ANY PERSON, CORPORATION OR OTHER ENTITY, DUPLICATED, AND/OR USED, EXCEPT AS EXPRESSLY APPROVED IN WRITING IN ADVANCE BY OWNER. THIS DOCUMENT SHALL BE RETURNED TO OWNER UPON REQUEST. IT MAY BE SUBJECT TO CERTAIN RESTRICTIONS UNDER APPLICABLE EXPORT CONTROL LAWS AND REGULATIONS.			REFERENCE OLPR162099	DATE	PROCESS/FINISH
			THIRD ANGLE PROJECTION	SIZE B	DRAWING NUMBER 612-0225
					SHEET 1 OF 1